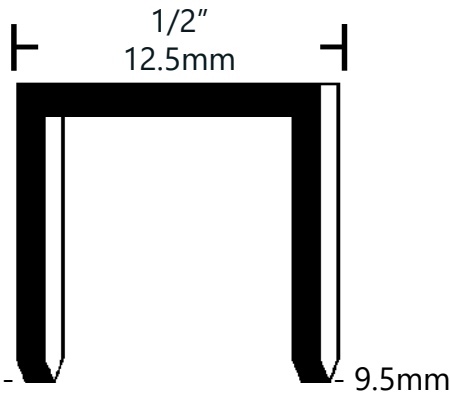




Fastener Type

BLACK MAGIC® S/05-37TR

Composite Tire Retread Staple (19 Gauge)



Part #

S/05-37TR 3/8" - 9.5mm

Packaging: 5112 staples per box • 20 boxes per case

BENEFITS

- ✓ **No staple removal**
- ✓ **No cut or abrasion marks from removing**
- ✓ **No metal staples littering the floor**
- ✓ **Eliminates envelope punctures**
- ✓ **Fewer tire re-runs**
- ✓ **Reduces labor & material costs**
- ✓ **No metal staple injuries**

FEATURES

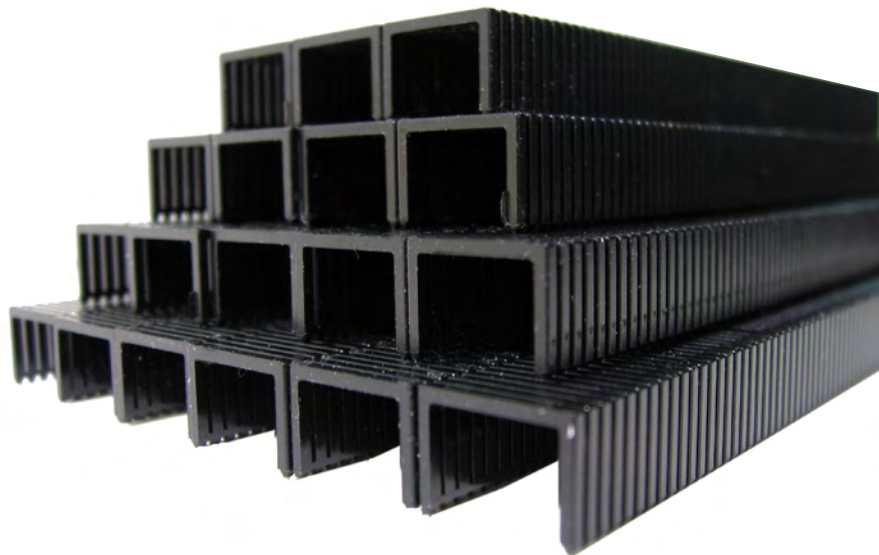
- ✓ **Melts during cure cycle**
- ✓ **Completely non-metal**

APPLICATIONS

Tire splice
Bench splice
Wick pad
Poly film
Tire tags

TOOLS

OMER 81P Series



www.blackmagicstaples.com 512.255.8525 2017 Utility Composites Incorporated





OMER 81P Series Stapler

The 81P pneumatic stapler drives BLACK MAGIC®, 19 gauge, composite, tire retread staples. It is extremely fast, lightweight, well-balanced and rugged.

It is offered in a standard-length magazine and a long magazine version for operators who prefer less reloading.

The 81P is also offered with a trigger safety or with a contact trip safety to reduce the possibility of accidental firing.



TECHNICAL DATA

Model	81P	81PS	81PCL	81PSCL
Magazine capacity	92 staples	92 staples	175 staples	175 staples
Operating air pressure	60 – 90 psi (4 – 6 bar)			
Dimensions LxWxH	8.5" x 1.7" x 5.8" (216 x 43 x 148mm)	8.5" x 1.7" x 5.8" (216 x 43 x 148mm)	13.8" x 1.7" x 5.8" (350 x 43 x 148mm)	13.8" x 1.7" x 5.8" (350 x 43 x 148mm)
Weight	2.0 lb (0.9 kg)	2.0 lb (0.9 kg)	2.4 lb (1.1 kg)	2.4 lb (1.1 kg)
Safety	Trigger	Contact	Trigger	Contact

