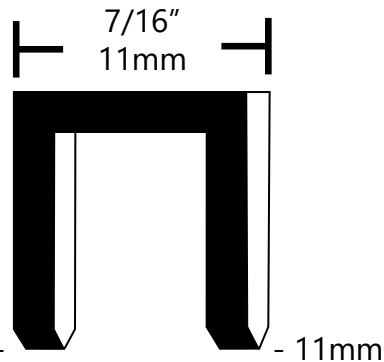


Fastener Type

BLACK MAGIC SH/04-40TR

Composite Retread Staple (16 Gauge)



Part#

SH/04-40TR 7/16"-

- 11mm

Packaging: 5040 staples per box • 20 boxes per case



BENEFITS

- ✓ No staple removal
- ✓ No cut or abrasion marks from removing
- ✓ No metal staples littering the floor
- ✓ Eliminates envelope punctures
- ✓ Fewer tire re-runs
- ✓ Reduces labor and material costs
- ✓ No metal staple injuries

FEATURES

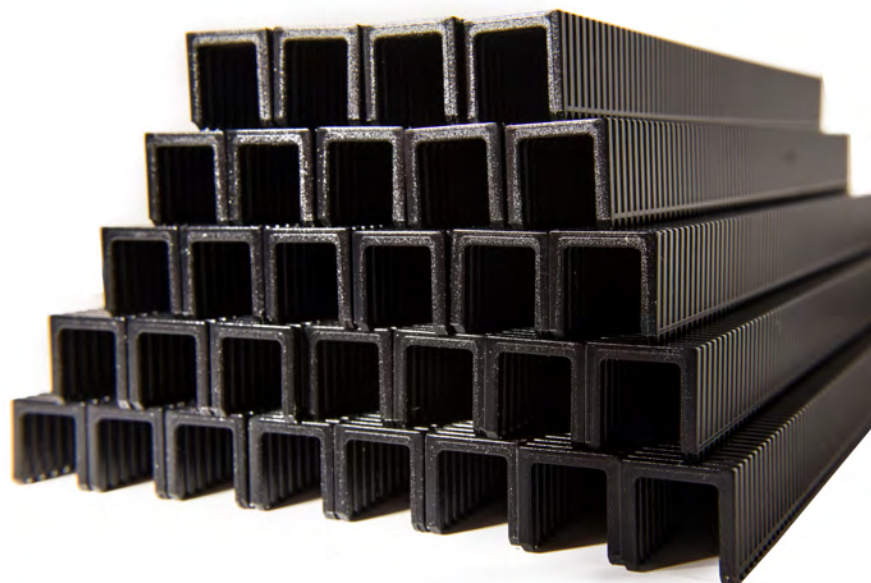
- ✓ Melts during cure cycle
- ✓ Completely non-metal

APPLICATIONS

Tire splice
Bench splice
Wick pad
Poly film
Tire tags

TOOLS

OMER 83P Series

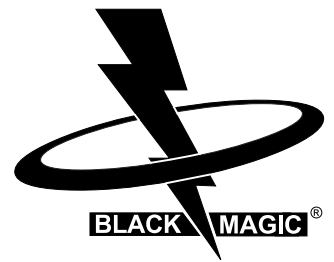


www.blackmagicstaples.com

512.255.8525

2017 Utility Composites Incorporated





OMER 83P Series Stapler

The 83P stapler drives RAPTOR® 11mm crown, 16 gauge composite staples, in 11mm leg length.

It is extremely fast, lightweight, well-balanced and rugged.

The 83P is offered with a trigger safety or with a contact trip safety to reduce the possibility of accidental firing.

The 83P is also offered in a standard-length magazine and a long magazine version for operators who prefer less reloading.



TECHNICAL DATA

Model	83P	83PS	83PCL
Magazine capacity	74 staples		140 staples
Operating air pressure	60 – 90 psi (4 – 6 bar)		
Dimensions LxWxH	8.8" x 1.7" x 5.8" (223 x 43 x 148mm)	9.3" x 1.7" x 5.8" (236 x 43 x 148mm)	14.1" x 1.7" x 5.8" (357 x 43 x 148mm)
Weight	2.0 lb (0.9 kg)	2.1 lb (0.95 kg)	2.4 lb (1.1 kg)
Safety	Trigger	Contact	Trigger

