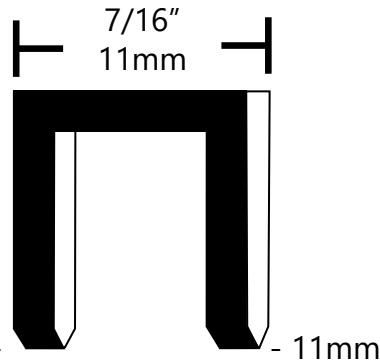




Fastener Type

# BLACK MAGIC® SH/04-40TR LM Low Melt Composite Retread Staple (16 Gauge)



Part#

SH/04-40TR LM 7/16"-

- 11mm

For cure chamber temperatures <215°

Packaging: 5040 staples per box • 20 boxes per case



## BENEFITS

- ✓ No staple removal
- ✓ No cut or abrasion marks from removing
- ✓ No metal staples littering the floor
- ✓ Eliminates envelope punctures
- ✓ Fewer tire re-runs
- ✓ Reduces labor and material costs
- ✓ No metal staple injuries

## FEATURES

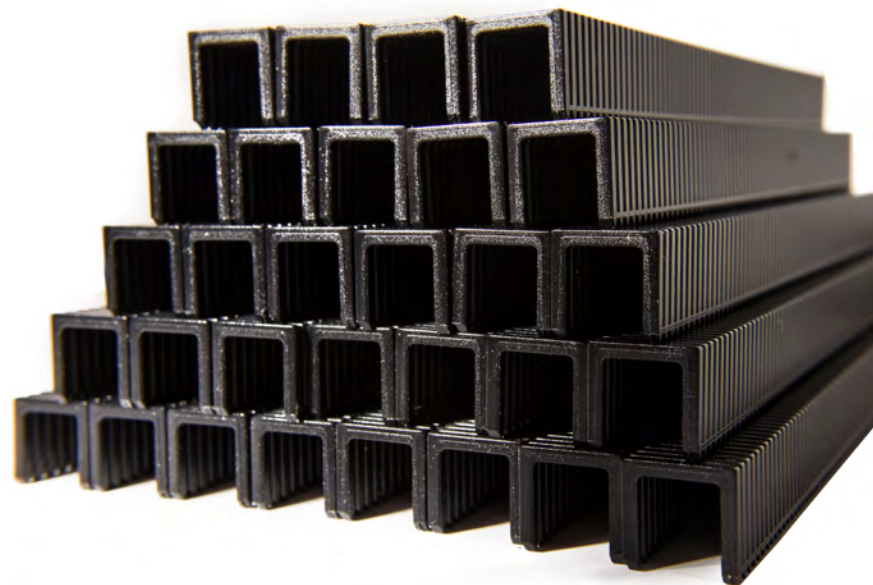
- ✓ Melts during cure cycle
- ✓ Low melting temperature
- ✓ Completely non-metal

## APPLICATIONS

Tire splice  
Bench splice  
Wick pad  
Poly film  
Tire tags

## TOOLS

OMER 83P Series

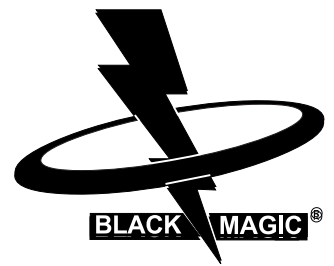


[www.blackmagicstaples.com](http://www.blackmagicstaples.com)

512.255.8525

2017 Utility Composites Incorporated





# OMER 83P Series Stapler

The 83P stapler drives RAPTOR® 11mm crown, 16 gauge composite staples, in 11mm leg length.

It is extremely fast, lightweight, well-balanced and rugged.

The 83P is offered with a trigger safety or with a contact trip safety to reduce the possibility of accidental firing.

The 83P is also offered in a standard-length magazine and a long magazine version for operators who prefer less reloading.



## TECHNICAL DATA

Model	83P	83PS	83PCL
Magazine capacity	74 staples		140 staples
Operating air pressure	60 – 90 psi (4 – 6 bar)		
Dimensions LxWxH	8.8" x 1.7" x 5.8" (223 x 43 x 148mm)	9.3" x 1.7" x 5.8" (236 x 43 x 148mm)	14.1" x 1.7" x 5.8" (357 x 43 x 148mm)
Weight	2.0 lb (0.9 kg)	2.1 lb (0.95 kg)	2.4 lb (1.1 kg)
Safety	Trigger	Contact	Trigger

