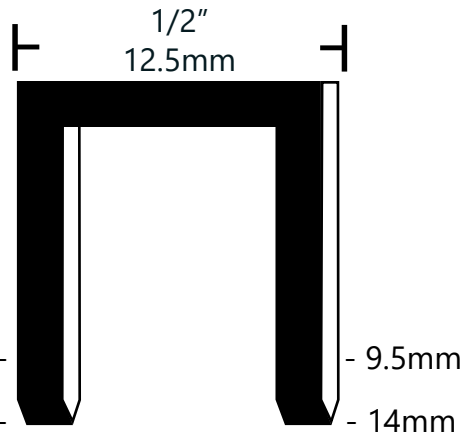


Fastener Type

BLACK MAGIC® SH/05TR

Composite Staple (16 Gauge)



Part

*SH/05-37TR	3/8" -	- 9.5mm
SH/05-55TR	9/16" -	- 14mm

*(Low melt staple for cure chambers <215°)

Packaging

SH/05-37TR : 5040 staples per box • 20 boxes per case
 SH/05-55TR : 4200 staples per box

BENEFITS

- ✓ No staple removal
- ✓ No cut or abrasion marks from removing
- ✓ No metal staples littering the floor
- ✓ Eliminates envelope punctures
- ✓ Fewer tire re-runs
- ✓ Reduces labor and material costs
- ✓ No metal staple injuries

FEATURES

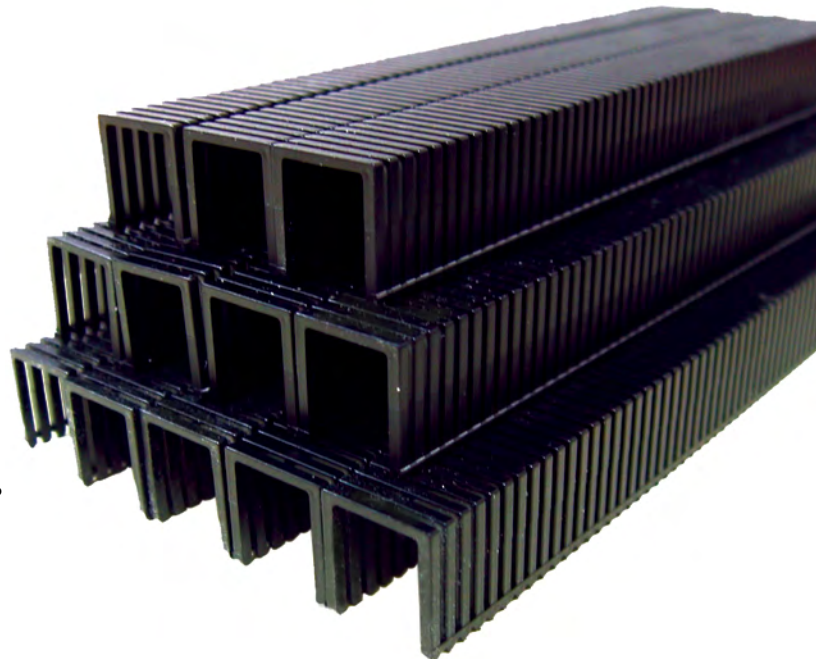
- ✓ Melts during cure cycle
- ✓ SH/05-37TR has a low melting temperature for cure chambers below 215°
- ✓ Completely non-metal

APPLICATIONS

Tire splice
 Bench splice
 Wick pad
 Poly film
 Tire tags

TOOLS

OMER 82P Series





OMER 82P Series Stapler

The 82P stapler drives BLACK MAGIC®, 16 gauge, composite, tire retread staples. It is extremely fast, lightweight, well-balanced and rugged.

It is offered in a standard-length magazine and a long magazine version for operators who prefer less reloading.

The 82P is also offered with a trigger safety or with a contact trip safety to reduce the possibility of accidental firing.



TECHNICAL DATA

Model	82P	82PS	82PCL	82PSCL
Magazine capacity	65 staples	65 staples	130 staples	130 staples
Operating air pressure	60 – 90 psi (4 – 6 bar)			
Dimensions LxWxH	8.5" x 1.7" x 5.8" (216 x 43 x 148mm)	8.5" x 1.7" x 5.8" (216 x 43 x 148mm)	13.8" x 1.7" x 5.8" (350 x 43 x 148mm)	13.8" x 1.7" x 5.8" (350 x 43 x 148mm)
Weight	2.0 lb (0.9 kg)	2.0 lb (0.9 kg)	2.4 lb (1.1 kg)	2.4 lb (1.1 kg)
Safety	Trigger	Contact	Trigger	Contact

